

**Log Lighter Sales, Inc.
Mantel Order Form**

Custom Select Mantel Order Form

Log Lighter Sales, Inc.
131 Bells Ferry Lane
Marietta, Ga 30066
770-499-0831 FAX
770-428-2134 PHONE



Company Name: _____

PO# _____ Date: _____

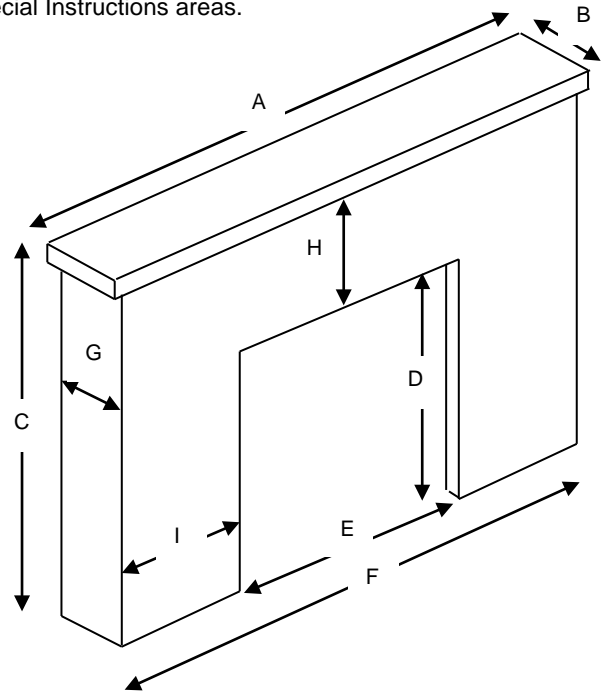
Location: _____

Phone: _____ Contact: _____ SO#: _____

Mantel Style	Finish (circle one)		Type of Wood	Quantity
	Paint Grade	Stain Grade		

Please specify the dimensions of the wood surround to be built. **D & E must be entered**. Other dimensions will be standard or calculated from D & E unless otherwise specified. Please note any measurements that must be EXACT, MAXIMUM, or other important restrictions in the Special Instructions areas.

	Dimension	Measurement	Special Instructions
A	Shelf Length		
B	Shelf Width		
C	Overall Height		
D	Inside Height		
E	Inside Width		
F	Outside Leg to OL		
G	Return		
H	Breast Height		
I	Leg Width		



Comments or Special Instructions

NOTE: All mantel orders must be confirmed in writing **before** the work can begin. Please sign and print your name below as acknowledgement that the above measurements and order specifications are accurate.

Signature _____

Date _____

Print Name _____